

NATIONAL-SPENCER, INC.

ZEE LINE LUBRICATION EQUIPMENT

Phone 800-231-1525

Fax 800-637-9511

Web Address www.zeeline.com



Part #30A1

Hand Operated
Diaphragm Pump

For dispensing gasoline and diesel fuel.

Features

- ❖ Bung adapter (L30-79N)
- ❖ Manual nozzle (L30-90N)
- ❖ 22" to 39" telescoping suction tube with foot valve (L30-99N)
- ❖ 8 ft. hose w/static wire (L30-95N)
- ❖ Fits 15 to 55 gallon drum
- ❖ Dispenses 1 gallon per 8 strokes
- ❖ Lockable handle

Recommended for

- ✓ Gasoline
- ✓ Diesel fuel

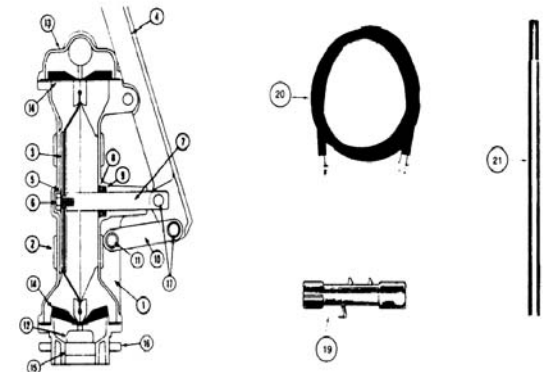
Application

- Automotive
- Agriculture
- Industrial

Number of boxes and contents

- 1 box (22 1/2" x 9" x 7") (13 lb.)
- UPC Code 0 1595400301 4

- For pump head and bung adapter only without nozzle, tube and hose, order Part # 30A



Ref	Part #	Description	No. Req.	Ref	Part #	Description	No. Req.
1	L30-10N	Front Plate	1	15	L30-59N	Bottom Cover	1
2	L30-20N	Rear Plate	1	16	L30-79N	Bung Adapter	1
3	L30-30N	Diaphragm	1	17	L30-39N	Handle Pin	2
4	L30-40N	Handle Assembly	1	18	L30-70N	Hex Head Bolts	16
5	L30-31N	Washer	1	-	L30-71N	O.D. Spring	3
6	L30-32N	Bolt	1	19	L30-90N	Nozzle, Plain	1
7	L30-33N	Connecting Rod	1	-	L30-91N	Nozzle, Auto Shut-Off	1
8	L30-34N	Packing Washer	1	20	L30-95N	8' Std Hose, 3/4 Male Fittings	1*
9	L30-35N	Pressure Seal	1	-	L30-96N	8' Static Wire Hose, 3/4 Male	1*
10	L30-46N	Connecting Link	1	21	L30-99N	Telescoping Suction Pipe Assy	1
11	L30-45N	Link, Pin	1	-	L30-97N	Suction Pipe "O" Ring	1
12	L30-61N	Pick Up Screen	1	*Either the L30N 95N or 30 96N Hose is required but not both.			
13	L30-50N	Upper Cover	1	<i>All specifications are approximate and subject to change without notice</i>			
14	L30-52N	Rubber Reed Valve	2				